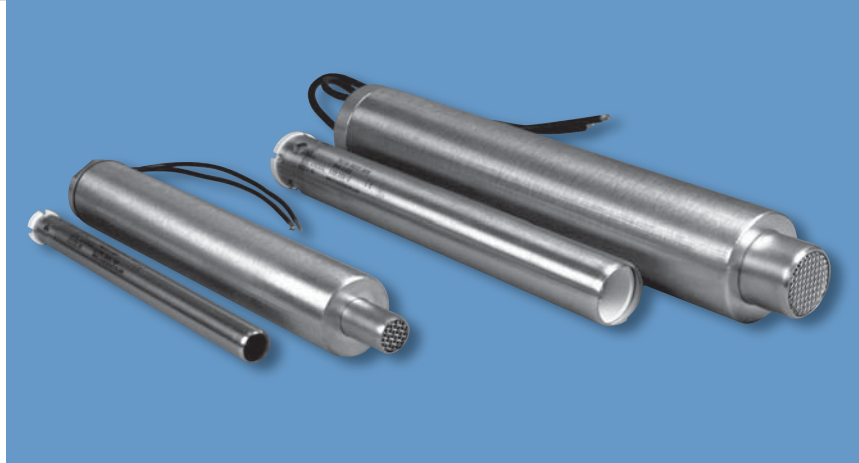


Serpentine II, VI Triple Pass Heaters

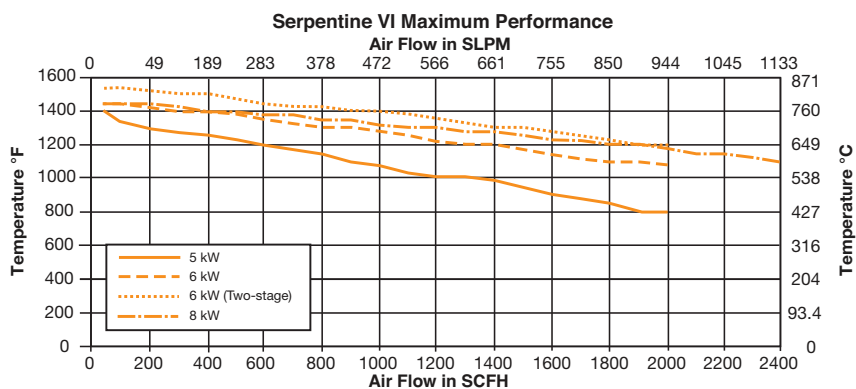
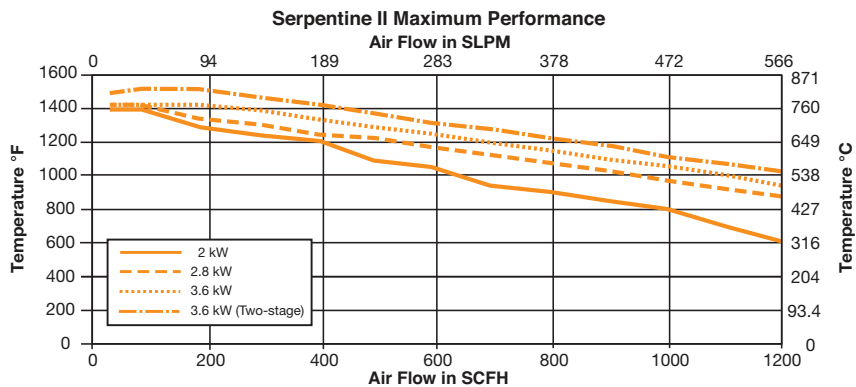


Specifications

- Air temperature controllable to 1500°F (815°C)
- Serpentine II to 3.6kW
- Serpentine VI to 8.0kW
- Triple Pass Heat Exchanger uses incoming air to cool outer shell
- Maximum air pressure 25 psi (1.7 bar)
- Replaceable element assemblies
- Recommended minimum airflow 60 SCFH
- RoHS compliant

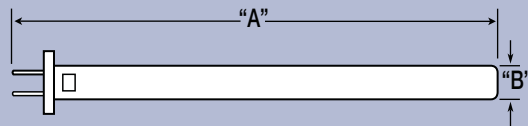


Performance

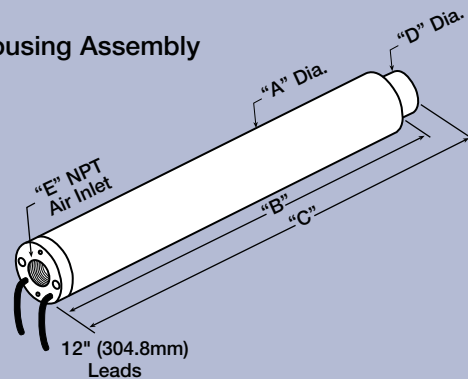


Installation

Element



Housing Assembly



Elements

Part Number	Max. Watts	Max. Volts	Max. Amps	Overall Length "A"	Tube O.D. "B"
Serpentine II Elements used with housing 029763					
029765	2.0kW	240	8	8.20" (208mm)	0.63" (16mm)
029766	2.8kW	240	12	8.20" (208mm)	0.63" (16mm)
029767	3.6kW	240	15	8.20" (208mm)	0.63" (16mm)
060418	3.6kW (Two-stage)	240	15	8.63" (219mm)	0.63" (16mm)
Serpentine VI Elements used with housing 057088					
040291	5.0kW	240	21	10.88" (276mm)	1.25" (32mm)
040292	6.0kW	240	25	10.88" (276mm)	1.25" (32mm)
061429	6.0kW (Two-stage)	240	25	10.88" (276mm)	1.25" (32mm)
056548	8.0kW	240	33	10.88" (276mm)	1.25" (32mm)

Housing Assemblies

Part Number	Serpentine Type	"A"	"B"	"C"	"D"	"E"
029763	II	1.6" (40mm)	9.0" (229mm)	10.0" (254mm)	0.7" (18mm)	3/8" NPT
057088	VI	2.1" (54mm)	11.9" (302mm)	12.9" (327mm)	1.4" (35mm)	3/4" NPT

Accessories

Part Number	Description
039739	Serpentine II base adaptor assembly
042339	Serpentine VI base adaptor assembly
029485	Serpentine II TC holder (includes TC)
040299	Serpentine VI TC holder (includes TC)
039272	Type K thermocouple probe, 3/16" (4.8mm) O.D.
066823	Closed-loop power control, 240V, 30A, 4–20mA
057081	Open-loop (manual) power control 120–277V 25A
070429	Digital temperature controller, 1/16 DIN, 4–20mA



039272



057081



039739/042339



066823



070429