

SUREHEAT® MAX Air Heater

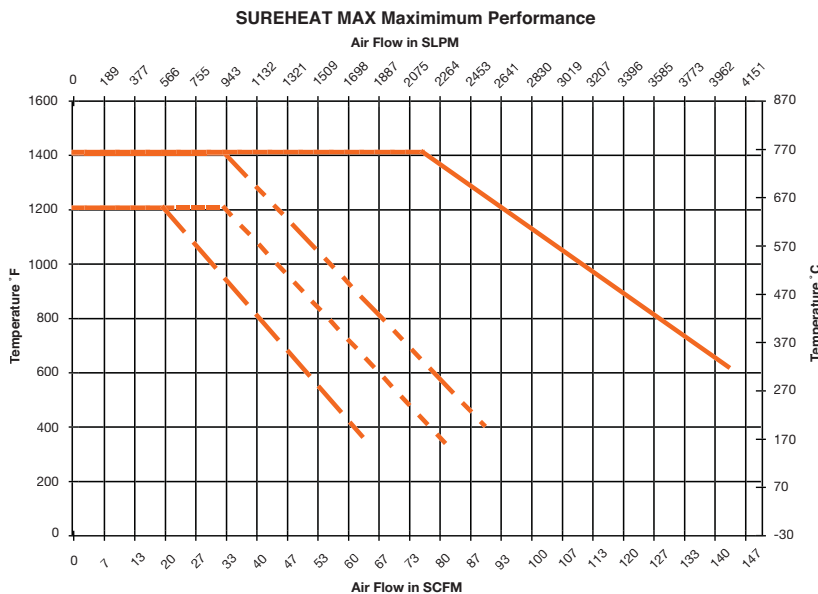


Specifications

- Air temperature controllable to 1400°F (760°C)
- Power ratings 6.0kW - 36.0kW
240/380/480V - 1 ϕ /3 ϕ
- Two internal Type K thermocouple sensors for control and safety:
 - S1 measures inlet temperature
 - S2 measures exit temperature
- Rapid heat-up and cool-down
- Maximum air pressure 60 psi (4 bar)
- Maximum inlet temperature 200°F (93°C)
- Recommended minimum airflow 12 SCFM
- Use SUREHEAT MAX Control (purchased separately) for easy installation
- RoHS compliant



Performance



* Temperature as measured by internal Type K thermocouple.

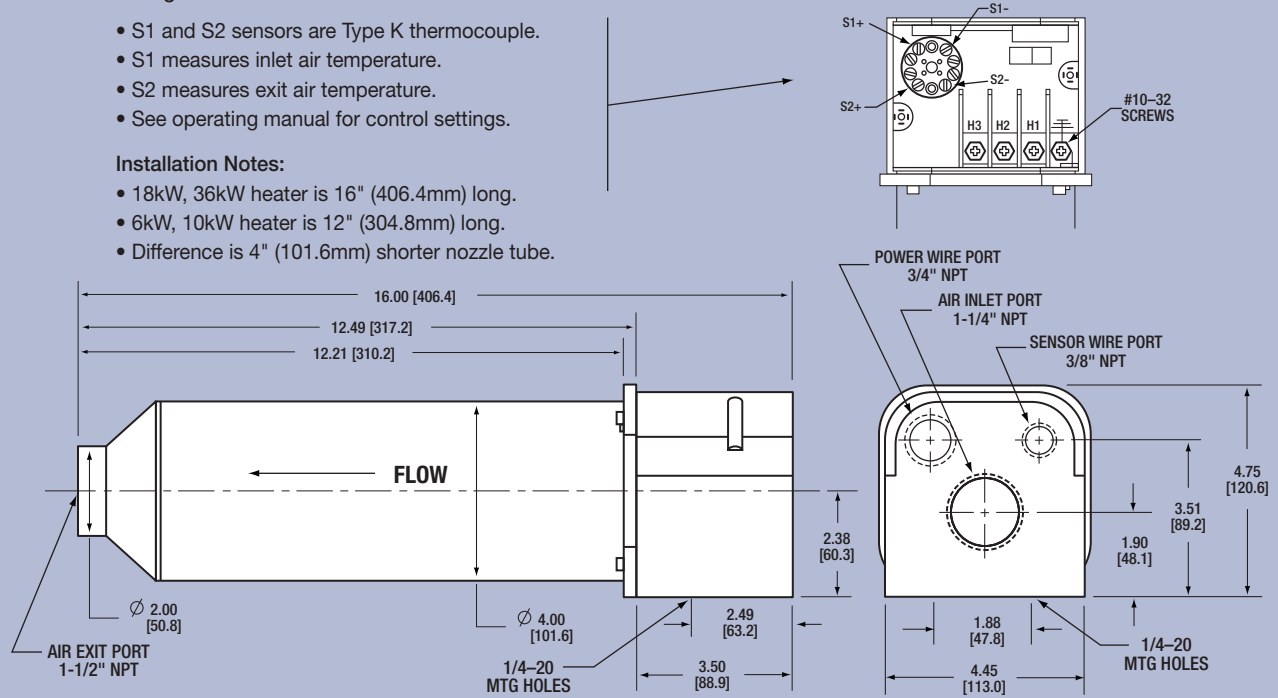
Installation

Wiring Notes:

- S1 and S2 sensors are Type K thermocouple.
- S1 measures inlet air temperature.
- S2 measures exit air temperature.
- See operating manual for control settings.

Installation Notes:

- 18kW, 36kW heater is 16" (406.4mm) long.
- 6kW, 10kW heater is 12" (304.8mm) long.
- Difference is 4" (101.6mm) shorter nozzle tube.



Products

Part Number	Description	Max. Watts	Max. Volts	Max. Amps
074723	SUREHEAT® MAX 6.0kW heater	6.0kW	240 - 1 ϕ	25.0
074724	SUREHEAT MAX 6.0kW heater	6.0kW	240 - 3 ϕ	14.5
074725	SUREHEAT MAX 6.0kW heater	6.0kW	380 - 3 ϕ	9.1
074726	SUREHEAT MAX 6.0kW heater	6.0kW	480 - 3 ϕ	7.2
074727	SUREHEAT MAX 10.0kW heater	10.0kW	240 - 1 ϕ	41.7
074728	SUREHEAT MAX 10.0kW heater	10.0kW	240 - 3 ϕ	24.1
074729	SUREHEAT MAX 10.0kW heater	10.0kW	380 - 3 ϕ	15.2
074731	SUREHEAT MAX 10.0kW heater	10.0kW	480 - 3 ϕ	12.0
074732	SUREHEAT MAX 18.0kW heater	18.0kW	240 - 3 ϕ	43.4
074733	SUREHEAT MAX 18.0kW heater	18.0kW	380 - 3 ϕ	27.4
074734	SUREHEAT MAX 18.0kW heater	18.0kW	480 - 3 ϕ	21.7
074735	SUREHEAT MAX 30.0kW heater	30.0kW	380 - 3 ϕ	45.6
074736	SUREHEAT MAX 36.0kW heater	36.0kW	480 - 3 ϕ	43.4

Accessories

Part Number	Description
075725	SUREHEAT MAX control cabinet 18.0kW/480V/25A/3 ϕ
074829	1/16 DIN digital temperature control (for S2 KTC)
074835	Inlet temperature limit circuit (for S1 KTC)



074829



074835